

# WALLOVEN

## Repair Parts List

MODEL NUMBER

JJW9630BAB

When requesting service or ordering parts, always provide the following information:

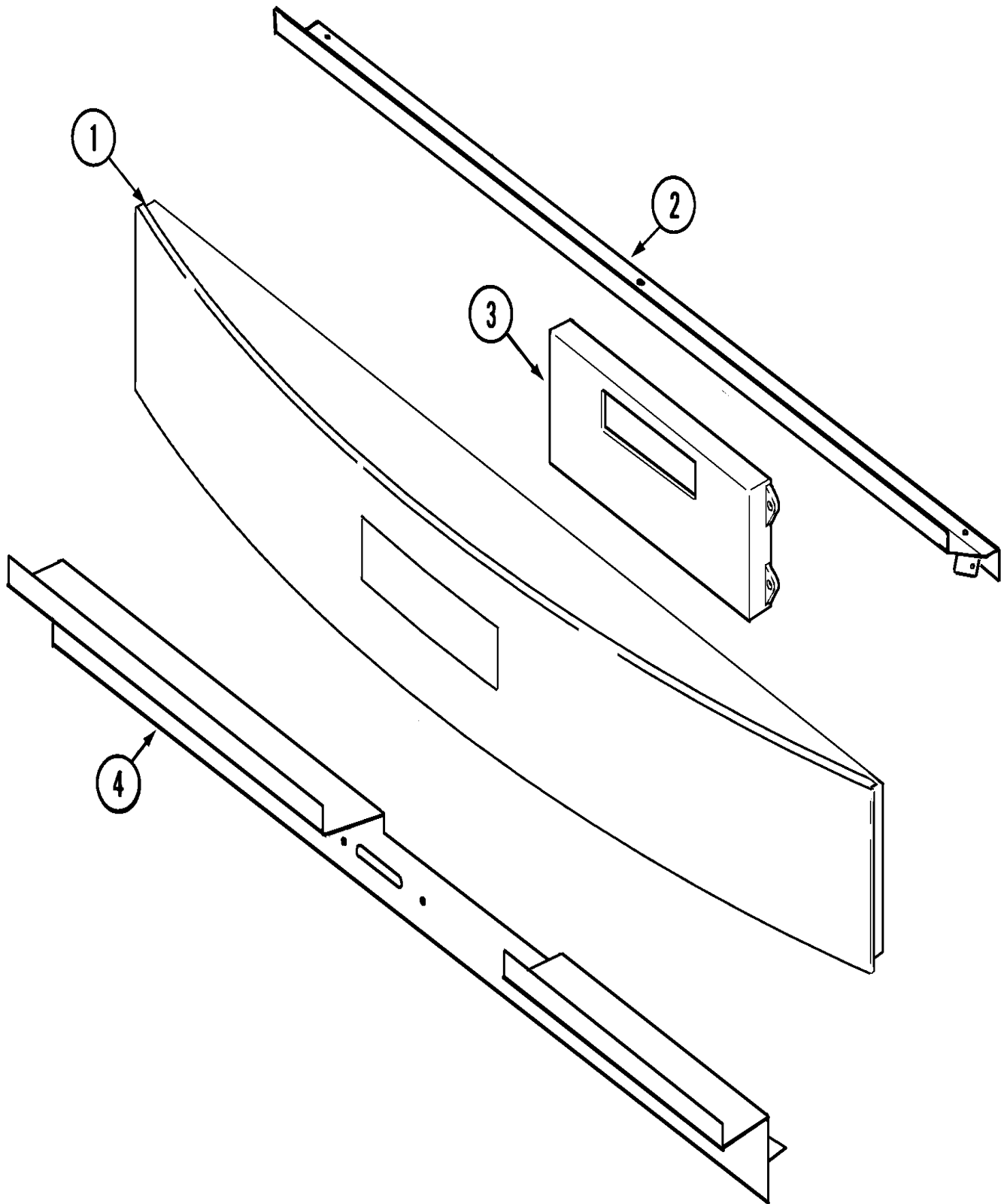
- Product Type
- Part Number
- Model Number
- Part Description

**MAYTAG**®

©2005 Maytag Services

Section: CONTROL PANEL

Model: JJW9630BAB



C10-471

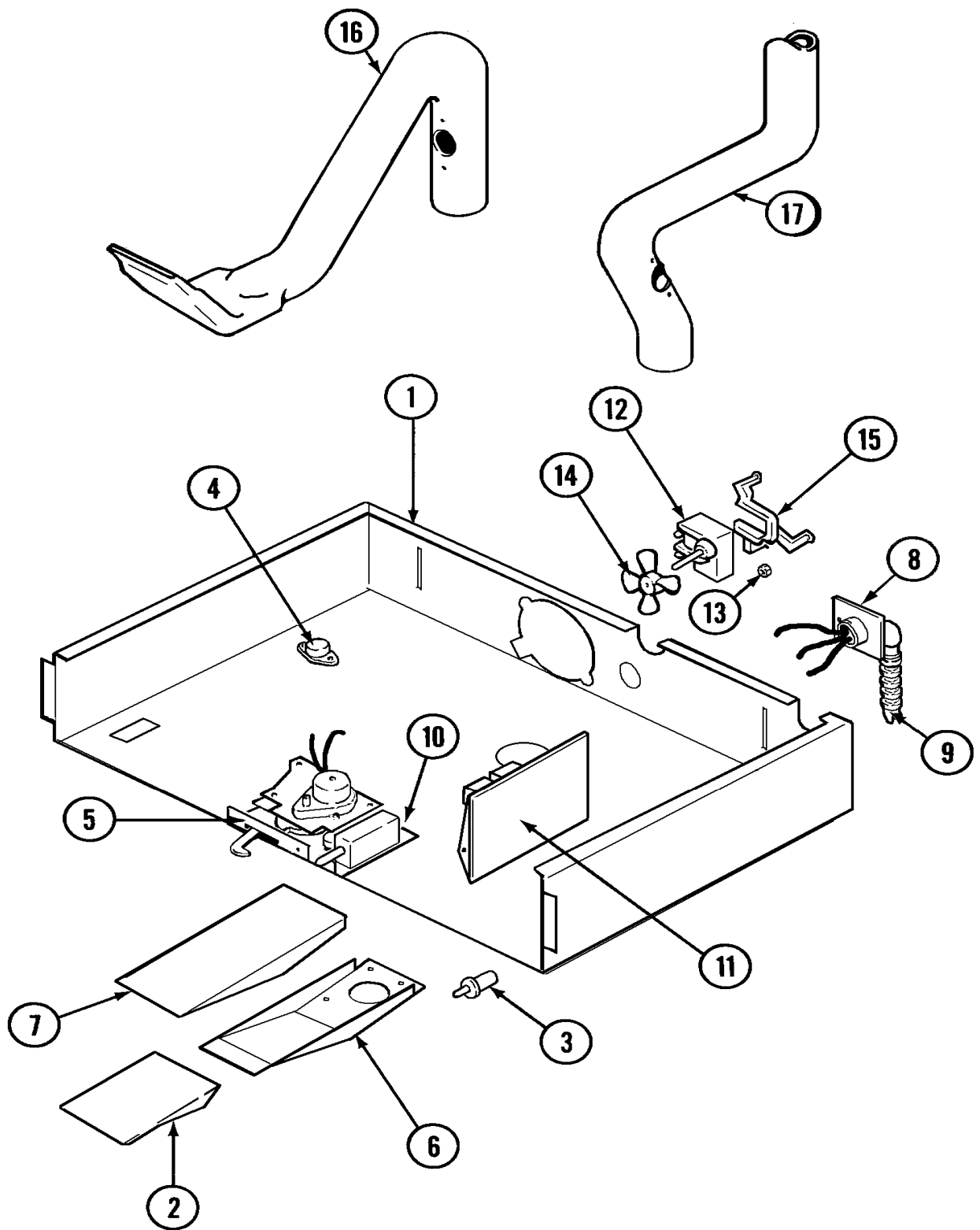
## Section: CONTROL PANEL

No.	Part No.	Description	Series	Qty
1	71003429	CONTROL PANEL ASSY (BLK)	10	1
2	71003405	SUPPORT, TOP	10	1
-	790448	SCREW (8ABX1/2"-BLK) Note: SCREW, SUPPORT	10	2
-	Y700502	SCREW Note: SCREW, SUPPORT	10	7
3	71003401	CLOCK	10	1
4	71001804	TRIM, CONTROL PANEL	10	1
-	71001861	HARNESS, CONVECT	10	1
-	74007064	HARNESS, UPR DR SW. & MTR	16	1
-	74006939	HARNESS, SENSOR & RELAY	16	1
-	74006938	HARNESS, MAIN (UPR)	16	1
-	74005199	HARNESS, SENSOR (LWR)	10	1
-	74005197	HARNESS (CONTROL/SENSOR)(LWR)	10	1
-	71003404	HARNESS, CONTROL/RELAY BOARD	10	1
-	71003403	HARNESS, TOUCH PAD/CLOCK	10	1
-	71001892	HARNESS, RELAY BOARD (J7)	10	1
-	71001868	HARNESS, MEAT PROBE	10	1
-	74007137	HARNESS, LOWER MAIN	16	1
-	71001877	HARNESS, DOOR LOCK (LWR)	10	1
-	71001876	HARNESS, DOOR SWITCH (LWR)	10	1
- N	71001809	HARNESS, DOOR LOCK (UPR)	10	1
- N	71001808	HARNESS, DOOR SWITCH (UPR)	10	1
-	71001798	HARNESS, WIRE CONTROL (J2)	10	1
- N	71003508	COOKBOOK	10	1
-	74005475	GUIDE, COOKING (TRILINGUAL)	10	1
-	74005656	MANUAL, USE & CARE	10	1

\*Color Code (-)=Not Shown #=Series, Serial Prefix or Run No., N=Not Available

Section: INTERNAL CONTROLS

Model: JJW9630BAB



C17-86

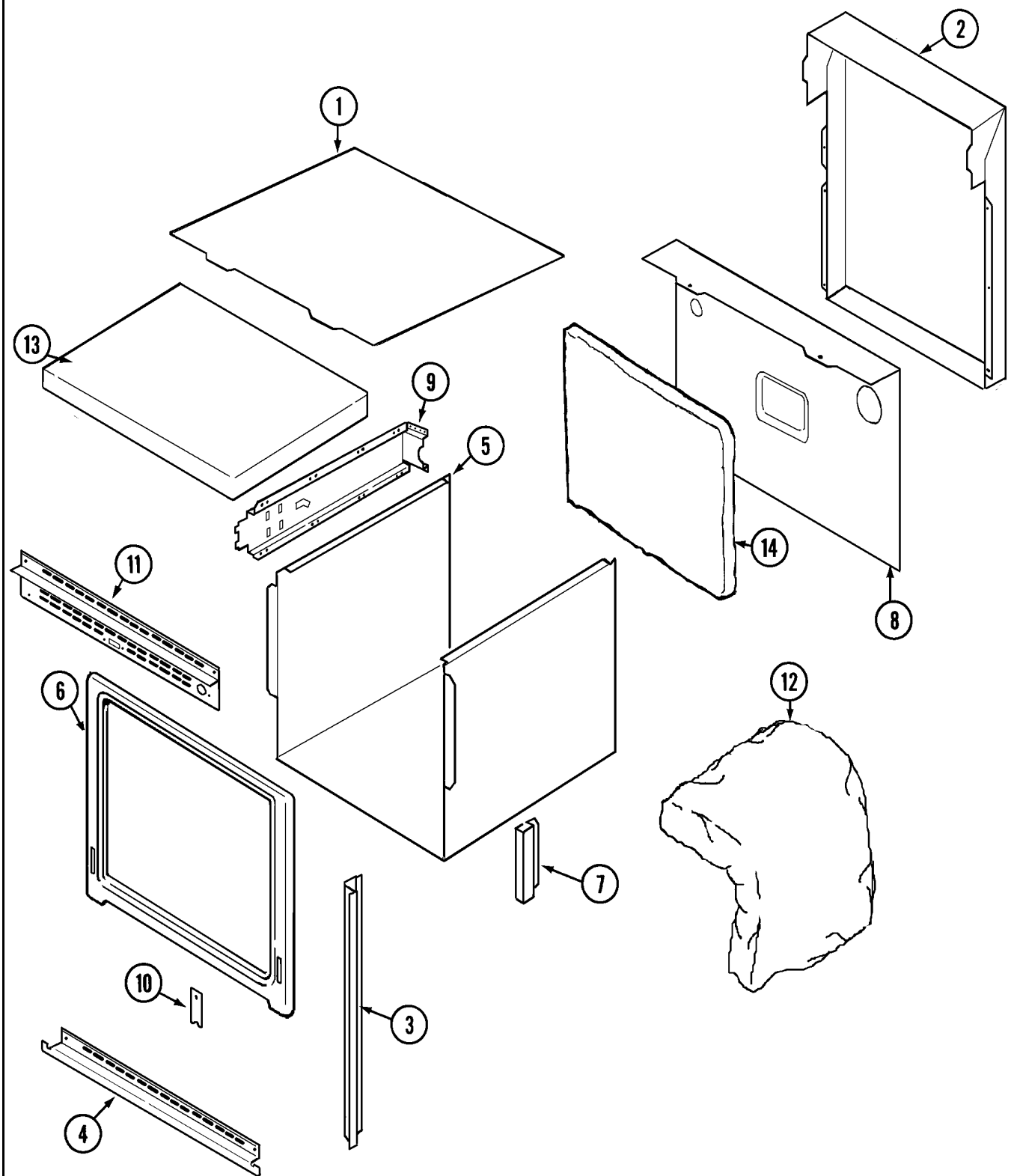
## Section: INTERNAL CONTROLS

No.	Part No.	Description	Series	Qty
1	74004628	PANEL, TOP (INR)	10	1
2	71001843	EXTENSION, VENT	10	1
3	71001129	SWITCH, DOOR LOCK	10	2
4	71001887	THERMOSTAT, FIXED Note: THERMOSTAT, HI-LIMIT (LWR)	10	1
4	71001844	THERMOSTAT, HI-LIMIT Note: THERMOSTAT, HI-LIMIT (UPR)	10	1
-	Y700502	SCREW Note: SCREW, THERMOSTAT	10	4
5	71001845	LATCH, DOOR ASSY. Note: LATCH, DOOR ASSY. (LIGHT SWITCH INCLUDED)	10	2
6	71001846	VENT (BTM)	10	1
7	71001847	VENT (TOP)	10	1
8	74004712	BRACKET, CABLE	10	1
9	71001888	WIRE CABLE ASSY.	10	2
10	71002904	SWITCH, DOOR LIGHT	10	2
11	71003399	BOARD, RELAY (LOWER)	10	1
11	71003402	BOARD, RELAY (UPPER) Note: BOARD, RELAY (UPPER)	10	1
12	71001851	FAN MOTOR ASSY.	10	1
13	701719	NUT, HEX Note: NUT, FAN	10	2
14	71001852	BLADE, FAN	10	1
15	71001853	BRACKET, FAN	10	1
16	71002417	TUBE, VENT (UPR)	10	1
17 N	71002418	TUBE, VENT (LWR)	10	1

\*Color Code (-)=Not Shown #=Series, Serial Prefix or Run No., N=Not Available

Section: BODY

Model: JJW9630BAB



C14-724

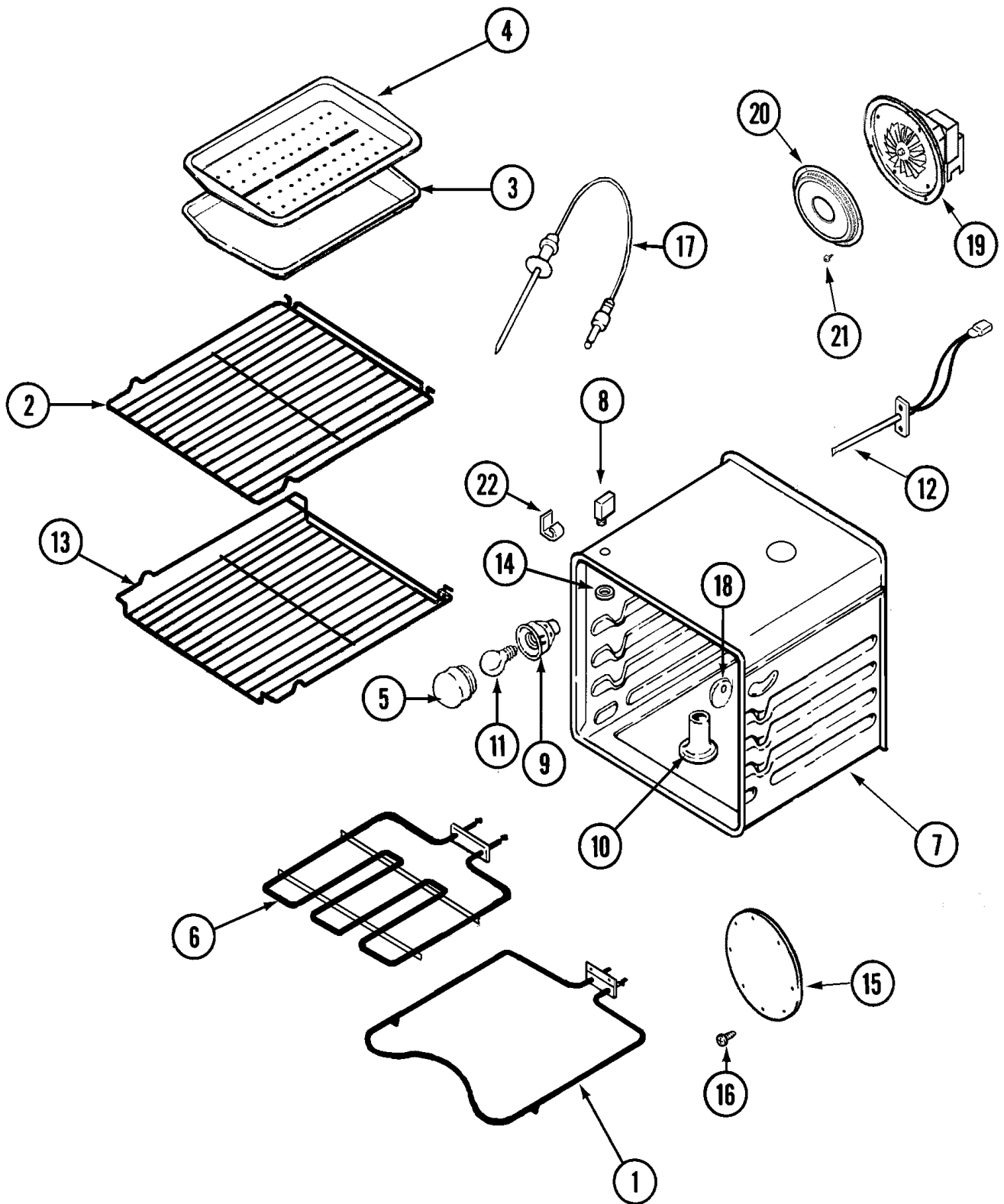
## Section: BODY

No.	Part No.	Description	Series	Qty
1	71001811	TOP, OVEN (OUTER) Note: TOP (OUTER)	10	1
1	71001885	PANEL, TOP (INR-CTR) Note: TOP (INNER-CTR)	10	1
-	Y700502	SCREW Note: SCREW, TOP	10	53
2	N 71001883	BACK, OUTER (LWR) Note: BACK, OUTER (LWR)	10	1
2	71001878	BACK, OUTER (UPR)	10	1
3	74005665	TRIM, SIDE (BLK)	10	2
-	Y700502	SCREW Note: SCREW, TRIM	10	12
4	74005643	TRIM, OVEN (LWR-BLK) Note: TRIM, OVEN (LWR-BLK)	10	1
-	Y706189	SCREW Note: SCREW, TRIM (BLK)	10	3
5	74005645	PANEL, OVEN (SIDE/BTM/SIDE) Note: PANEL, SIDE (BTM-SIDE)	10	2
6	71003180	FRAME, OVEN	10	2
7	71001828	RECEPTACLE, HINGE ASSY.	10	4
8	74004629	PANEL, BACK (INR)	10	2
9	04100669	SUPPORT (CTR) Note: SUPPORT, CENTER	10	2
-	71003411	PLATE, COVER (CENTER SUPPORT) Note: PLATE, COVER	10	1
10	71001812	PLATE, HINGE TRAP Note: PLATE, HINGE TRAP	10	4
-	Y706189	SCREW Note: SCREW, EXTRUSION (BLK)	10	6
11	71003400	EXTRUSION, CENTER (BLK)	10	1
12	71001817	INSULATION (WRAP)	10	2
13	71003614	INSULATION (BTM) Note: INSULATION (BOTTOM)	10	2
14	71002329	INSULATION (BACK-TOP) Note: INSULATION (BACK/TOP)	10	2
-	71002264	SCREW (BLK) Note: SCREW, INSTALLATION (BLK)	10	8

\*Color Code (-)=Not Shown #=Series, Serial Prefix or Run No., N=Not Available

Section: OVEN

Model: JJW9630BAB



C12-407



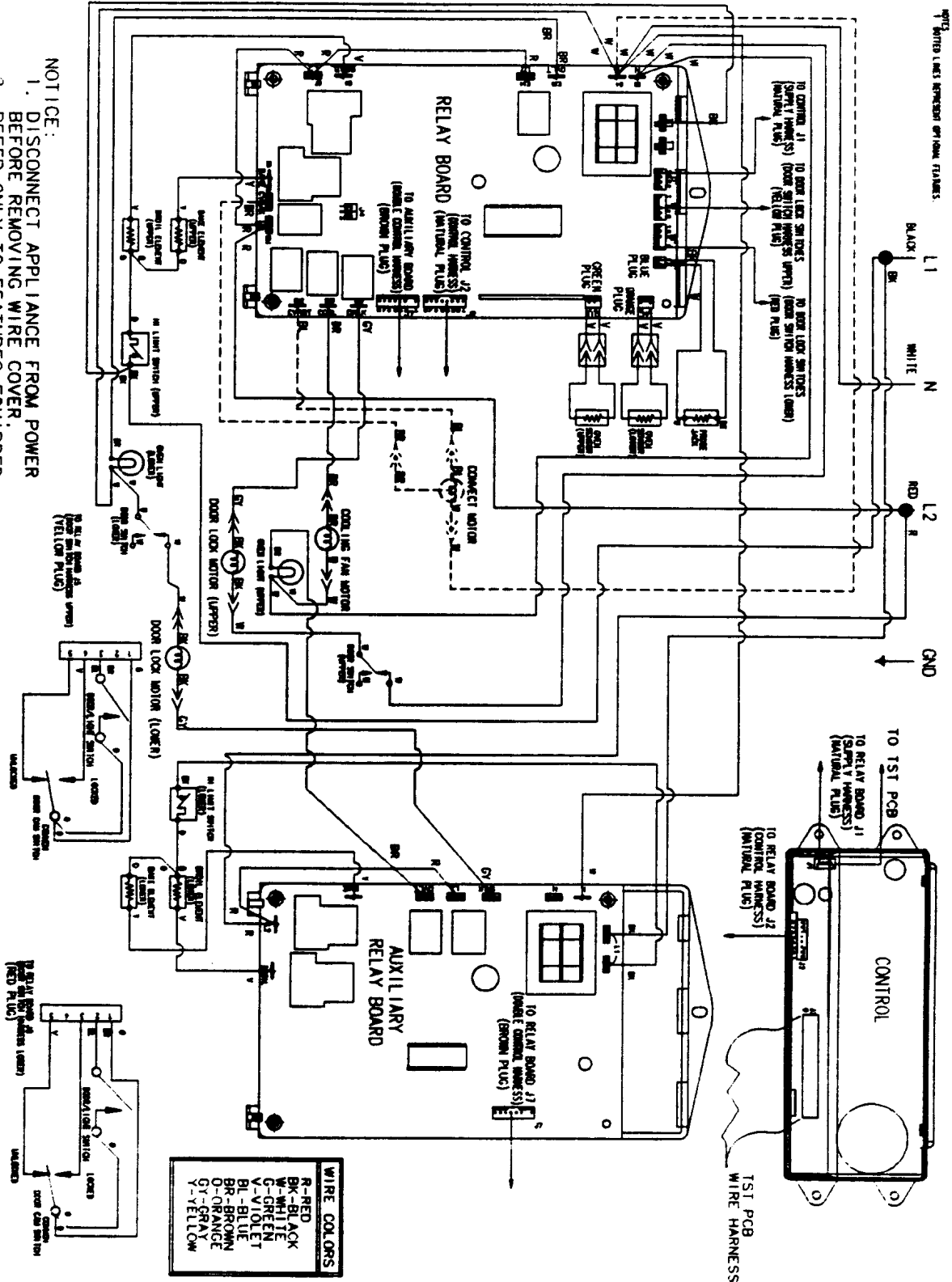
## Section: OVEN

No.	Part No.	Description	Series	Qty
1	71001638	ELEMENT, BAKE	10	2
-	71001394	SCREW Note: SCREW, ELEMENT	10	2
2	71001862	RACK, OVEN	10	3
3	3401F014-19	PAN, BROIL	10	1
3	Y3401F02019	PAN, BROIL	13	1
4	703165	INSERT, BROIL PAN	10	1
4	Y3413F01619	INSERT, BROIL PAN	13	1
5	71001867	LENS, BULB	10	2
6	74004812	ELEMENT, BROIL	10	2
-	71001394	SCREW Note: SCREW, ELEMENT	10	2
-	71001403	WASHER, ALUM Note: WASHER, OVEN WELD	10	4
7	71003005	OVEN WELD ASSY.	10	2
-	71001394	SCREW Note: SCREW, OVEN WELD	10	18
8	71001863	RECEPTACLE, PROBE	10	1
9 N	71001866	RECEPTACLE, BULB	10	2
10	71002419	TUBE, VENT	10	2
11	707319	BULB, OVEN (40 WATT BRASS)	10	2
12	71003083	PROBE, OVEN SENSOR	10	2
13	71001865	RACK, OVEN (OFFSET)	10	2
14	703356	NUT, HEX 3/8" Note: NUT, PROBE RECEPTACLE	10	1
15	71002903	PLATE, NON-CONVECT	10	1
16	71001394	SCREW Note: SCREW, PLATE	10	3
-	702592	WASHER Note: WASHER, PLATE	10	3
17	71001870	PROBE, TEMP	10	1
18	702929	BUTTON, PLUG	10	2
19	74005657	MOTOR ASSY, CONVECTION	10	1
20	74005658	PLATE, CONVECTION (FRT)	10	1
21	71001394	SCREW Note: SCREW, PLATE	10	6
-	702592	WASHER Note: WASHER, PLATE	10	3
22	71001170	CLIP, OVEN	10	2

\*Color Code (-)=Not Shown #=Series, Serial Prefix or Run No., N=Not Available

Section: WIRING INFORMATION

Model: JJW9630BAB

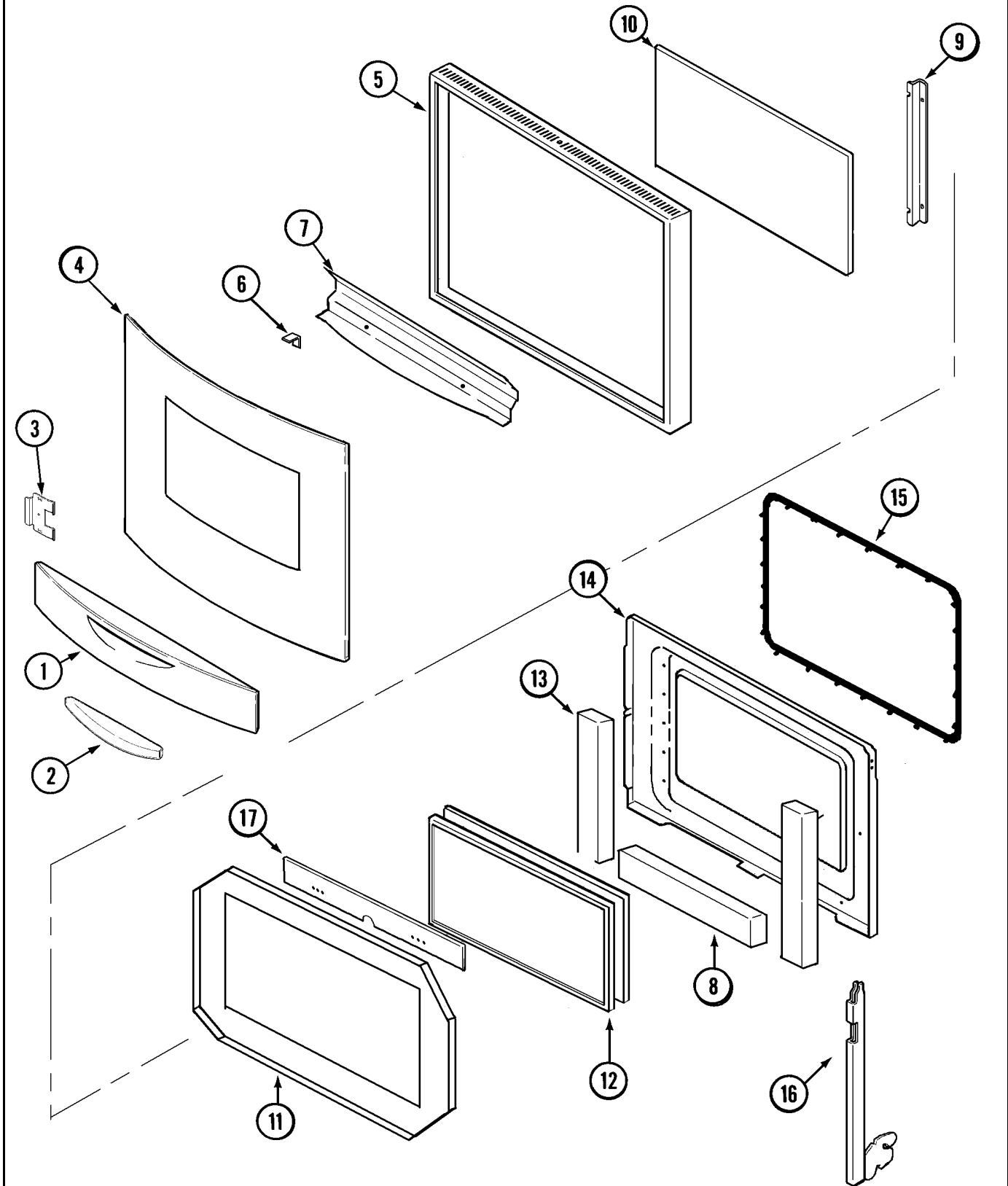


WIRE COLORS	
R	RED
BK	BLACK
W	WHITE
G	GREEN
V	VIOLET
BL	BLUE
BR	BROWN
O	ORANGE
GY	GRAY
Y	YELLOW

- NOTICE:
1. DISCONNECT APPLIANCE FROM POWER BEFORE REMOVING WIRE COVER.
  2. REFER ONLY TO FEATURES EQUIPPED.
  3. SERVICER PLEASE RETURN DIAGRAM TO APPLIANCE.
  4. CAUTION: LABEL ALL WIRES PRIOR TO DISCONNECTION WHEN SERVICING CONTROLS. WIRING PROBLEMS CAN CAUSE IMPROPER AND DANGEROUS OPERATION.
  5. VERIFY PROPER OPERATION AFTER SERVICING.

Section: DOOR (UPPER & LOWER)

Model: JJW9630BAB



C11-700

## Section: DOOR (UPPER & LOWER)

No.	Part No.	Description	Series	Qty
1	74005646	HANDLE, DOOR (BLK)	10	2
-	71001183	SCREW (#8AB) Note: SCREW, HANDLE	10	6
-	7109P036-60	WASHER Note: WASHER, POCKET	10	4
2	74005592	POCKET, HANDLE (BLK)	10	2
-	74003132	SCREW Note: SCREW, POCKET	10	4
3	71003386	BRACKET, HANDLE	10	4
4	74005618	GLASS, DOOR (BLK)	10	2
5	74006310	FRAME, DOOR (BLK)	14	2
5	71003394	FRAME, DOOR (BLK)	10	2
-	Y706189	SCREW Note: SCREW, FRAME (BLK)	10	12
-	Y700725	SCREW Note: SCREW, LATCH	10	2
6	71001831	PLATE, LATCH	10	2
7	N 71003396	SHIELD, HEAT	10	2
-	790058	GASKET, WINDOW Note: GASKET, SHIELD	10	2
8	71001838	INSULATION, DOOR (BTM)	10	2
9	74003650	RETAINER, GLASS	10	4
-	Y700502	SCREW Note: SCREW, BRACKET	10	8
10	74005640	GLASS, DOOR (INNER)	10	2
-	715634	NUT Note: NUT, RETAINER	10	12
11	74005648	RETAINER, INSULATION	10	2
12	74005641	WINDOW ASSEMBLY	10	2
13	71001839	INSULATION, DOOR (SIDE)	10	4
14	74005642	LINER, OVEN DOOR	10	2
15	71001841	SEAL, DOOR	10	2
16	71003350	HINGE, DOOR	10	4
-	7101P270-60	SCREW, BLACK Note: SCREW, HINGE	10	4
17	74005614	HEAT SINK	10	2
-	71001394	SCREW Note: SCREW, HEAT SINK	10	8
-	74004226	SPACER, DEHYDRATION DOOR	10	1

\*Color Code (-)=Not Shown #=Series, Serial Prefix or Run No., N=Not Available

